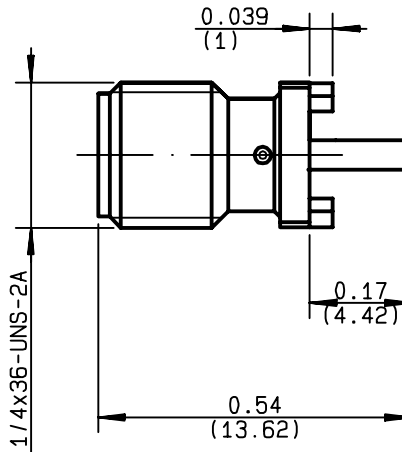
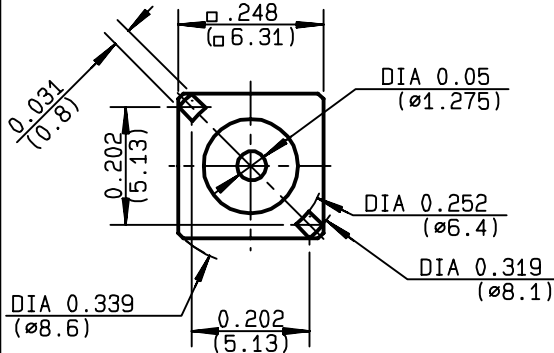


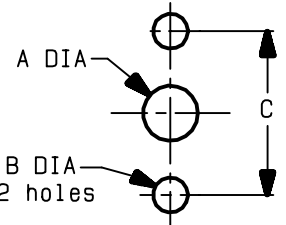
**STRAIGHT JACK RECEPTACLE FOR PCB
SOLDER LEGS - PACK. 100**

R124.426.506
SERIES SMA-COM

4 Creves pour immobilisation du contact-central
(4 idents for center-contact captivation).



MOUNTING HOLE
PERCAGE PANNEAU
BOHRPLAN



	MM		INCH	
	maxi	mini	maxi	mini
A	1.5	1.3	0.059	0.051
B	1.5	1.3	0.059	0.051
C	7.3	7.1	0.287	0.279

NOMINAL IMPEDANCE	50	Ω
FREQUENCY RANGE	0-18	GHz
TEMPERATURE RATING	-65/+165	°C
V.S.W.R	1.04 + .0056 x F(GHz)Maxi	
RF INSERTION LOSS	0.05 √F(GHz) dB Maxi	
VOLTAGE RATING	500	Veff Maxi
DIELECTRIC WITHSTANDING VOLTAGE	1000	Veff Mini
INSULATION RESISTANCE	5000	MΩMini
HERMETIC SEAL	NA	Atm.cm ³ /s
LEAKAGE (pressurized only)	NA	
MECHANICAL DURABILITY	100	Cycles
WEIGHT	1.24	gr
SPECIFICATION		

CABLES :	
OTHERS CHARACTERISTICS	
CABLE RETENTION	NA N Mini
CENTER CONTACT RETENTION	
Axial force - mating end	27 N Mini
Axial force - opposite end	27 N Mini
Torque	2.8 cm.N Mini
RECOMMENDED TORQUES	
Mating	NA cm.N
Panel nut	NA cm.N
Clamp nut	NA cm.N

CONNECTOR PARTS	MATERIALS	FINISH	(all values are given in micrometers)
BODY	BRASS	SILVER 5 OVER COPPER	0.5
OUTER CONTACT			
CENTER CONTACT	BERYLLIUM COPPER	SILVER 5 OVER COPPER	0.5
INSULATOR	PTFE	-	
GASKET		-	
OTHERS PIECES			

ISSUE	CREATION DATE	FILE PART-NUMBER
9847A01	07/03/1997	97-0104-704



ILLMER

The information given here is subject to change without notice.
Design changes may be in order to improve the product .

Connect to the future